



# FLAT TYPE LED LIGHT & BULB

Technical Datasheet



# PLASTIC HOUSING UNDERWATER LED LAMP SURFACE MOUNTED

## Technical Characteristics

**Order Code:**

**Connection:** 12V AC/DC

**Color:** White

**Code:** OSC HIA012-1

High Lumen

Low Energy Consumption Die Cast Aluminium Housing

Low Heat Generation

Long Lifetime

**Technical Information / Product Code: OSC HIA012-1**

**Body:**

Plastic housing Polycarbonate Lens

Stainless steel screws

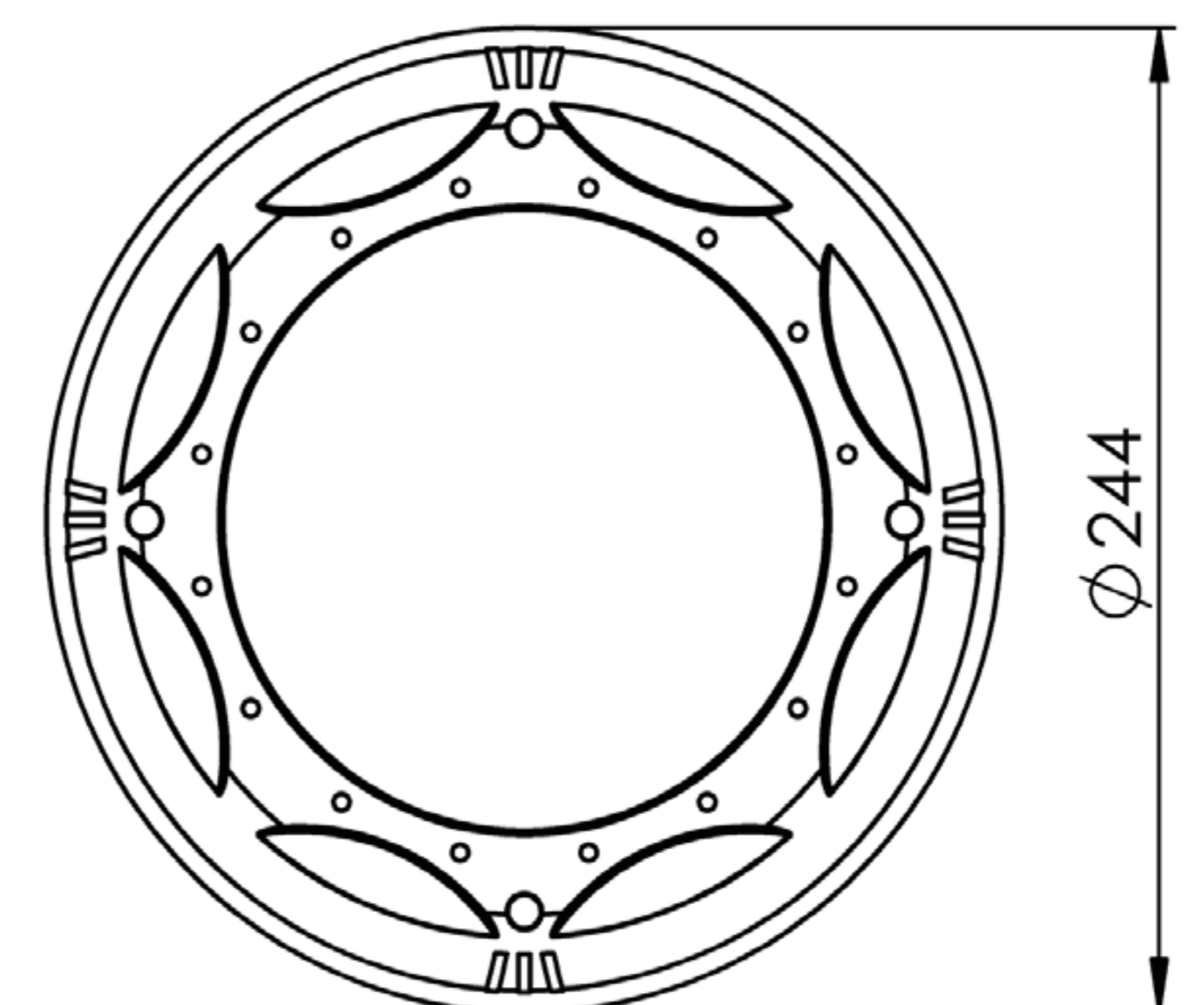
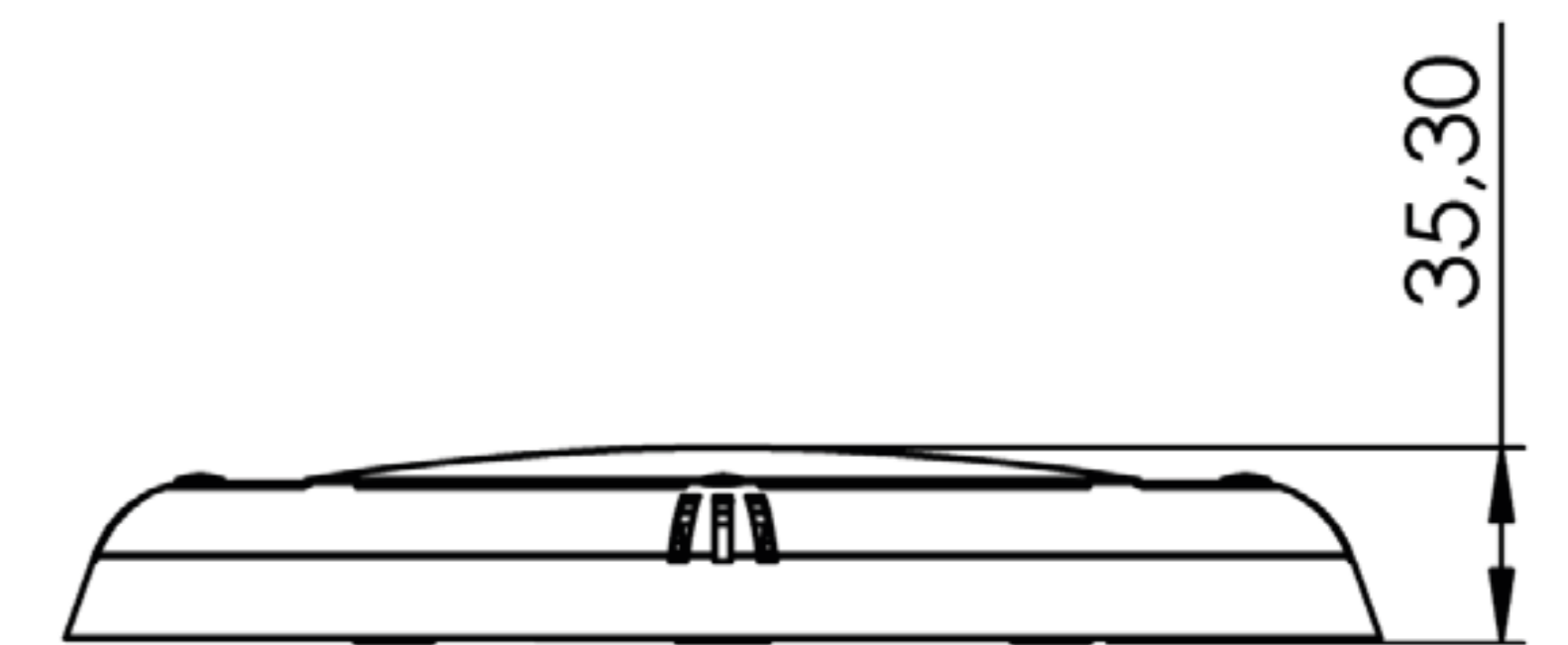
### GENERAL SPECIFICATIONS

Operating Temperature	-5/+40°C
Electrical Life	100.000 hour
Led Quantity	84 SMD
CCT/Wavelength	5700 K
Viewing Angle	120°
Connection	Insulated Cable Lug M6
Protection Degree	IP68

### Electrical Information

### GENERAL SPECIFICATIONS

Operating Voltage	Ue	12V AC/DC
Watt (Nominal)	Si	30W
Operating Current	Ie	1,8 A
Lumen	Im	3000



CE IP68  
CLASS III ⚠ ⚠



# ALUMINIUM HOUSING UNDERWATER LED LAMP SURFACE MOUNTED

## Technical Characteristics

**Order Code:** OSC HIAO13-1

**Connection:** 12V AC/DC

**Color:** White

**Code:**Daylight

High Lumen

Low Energy

Consumption Low Heat Generation

Long Lifetime

## Technical Information

### Body:

Plastic housing Polycarbonate Lens

Stainless steel screws

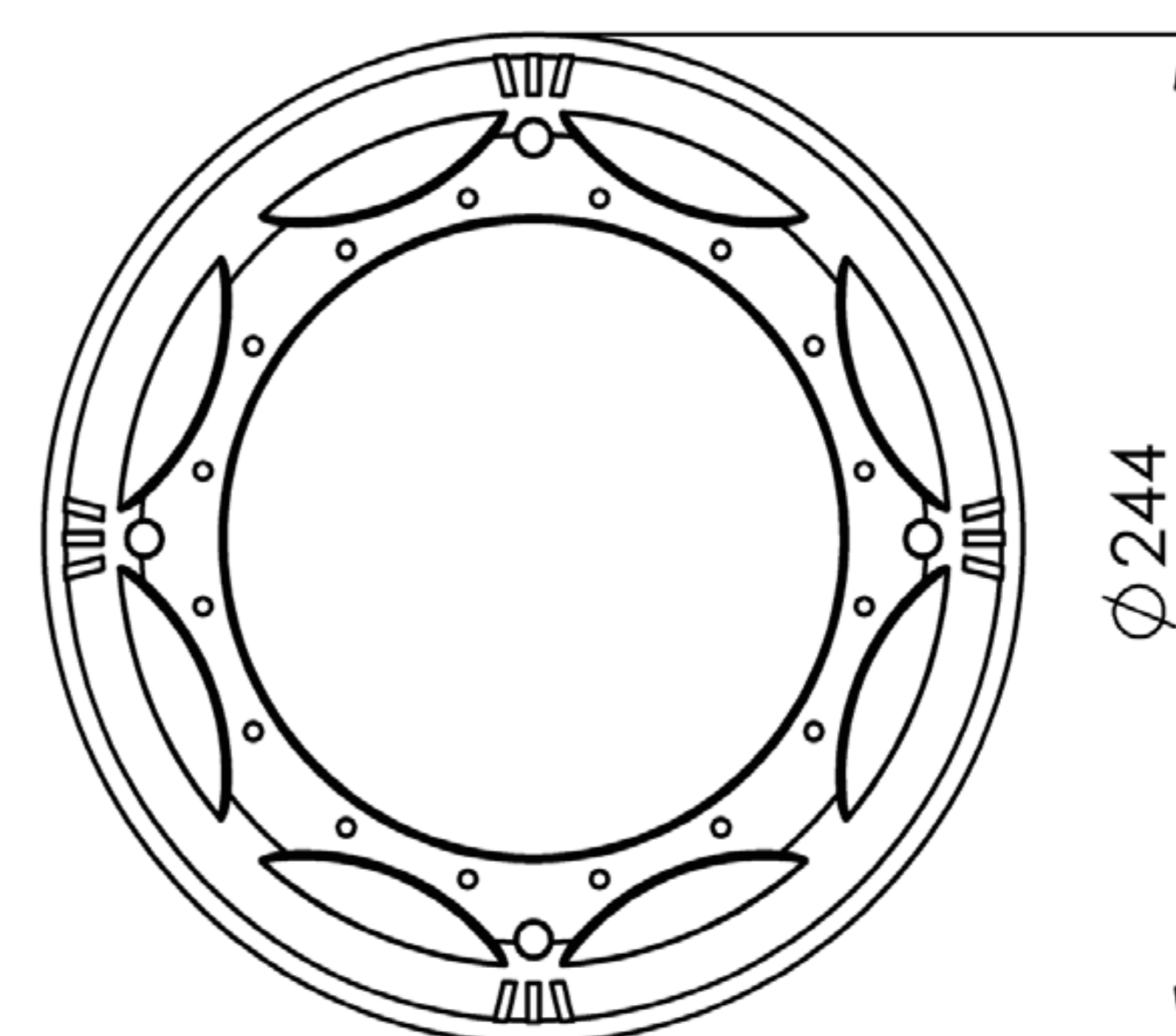
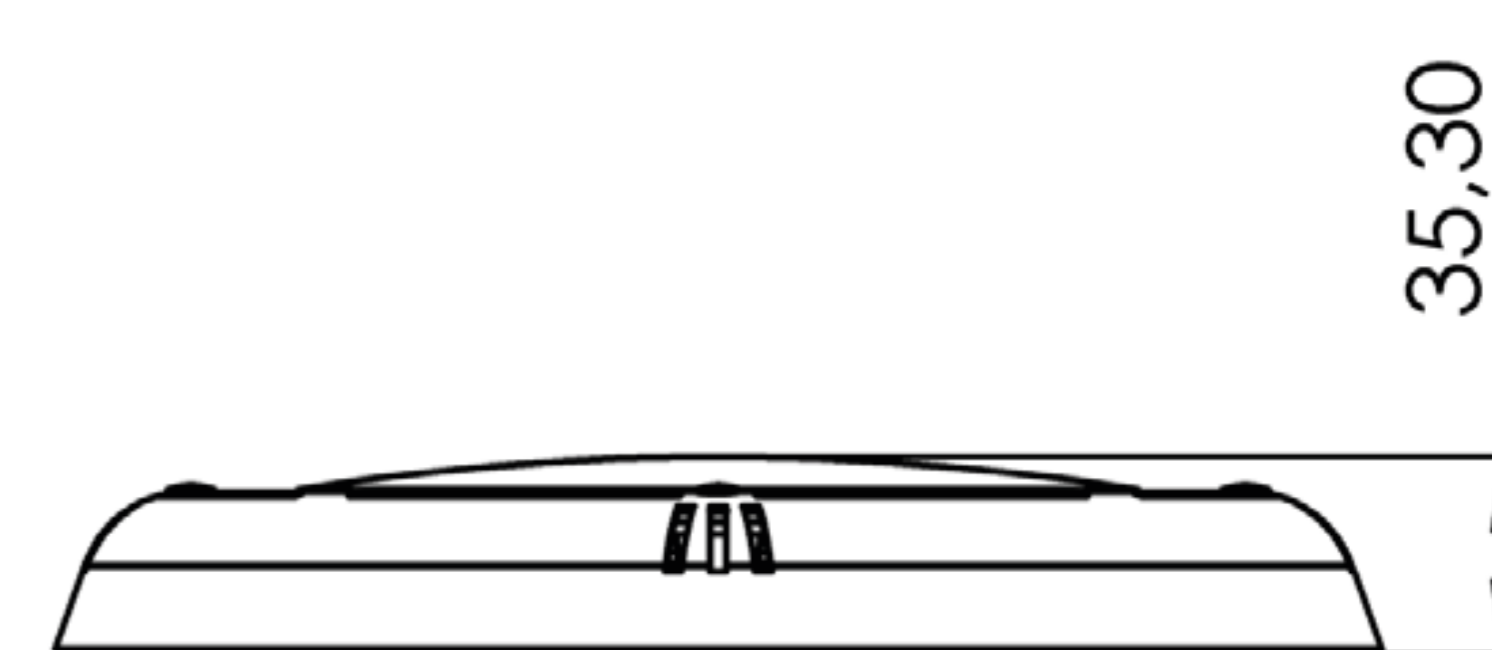
### GENERAL SPECIFICATIONS

Operating Temperature	-5/+40°C
Electrical Life	100.000 hour
Led Quantity	84 SMD
CCT/Wavelength	5700 K
Viewing Angle	120°
Connection	Insulated Cable Lug M6
Protection Degree	IP68

## Electrical Information

### GENERAL SPECIFICATIONS

Operating Voltage	Ue	12V AC/DC
Watt (Nominal)	Si	30W
Operating Current	Ie	1,8 A
Lumen	Im	3000



CE IP68  
CLASS III ⚠ ⚠

The LED & Cable are protected  
to use under water

# ALUMINIUM HOUSING UNDERWATER LED LAMP SURFACE MOUNTED

## Technical Characteristics

**Order Code:**

**Connection:** 12V AC/DC

**Color:** Blue

High Lumen

Low Energy Consumption Die Cast Aluminium Housing

Low Heat Generation

Long Lifetime

## Technical Information

**Body:**

Plastic housing Polycarbonate Lens

Stainless steel screws

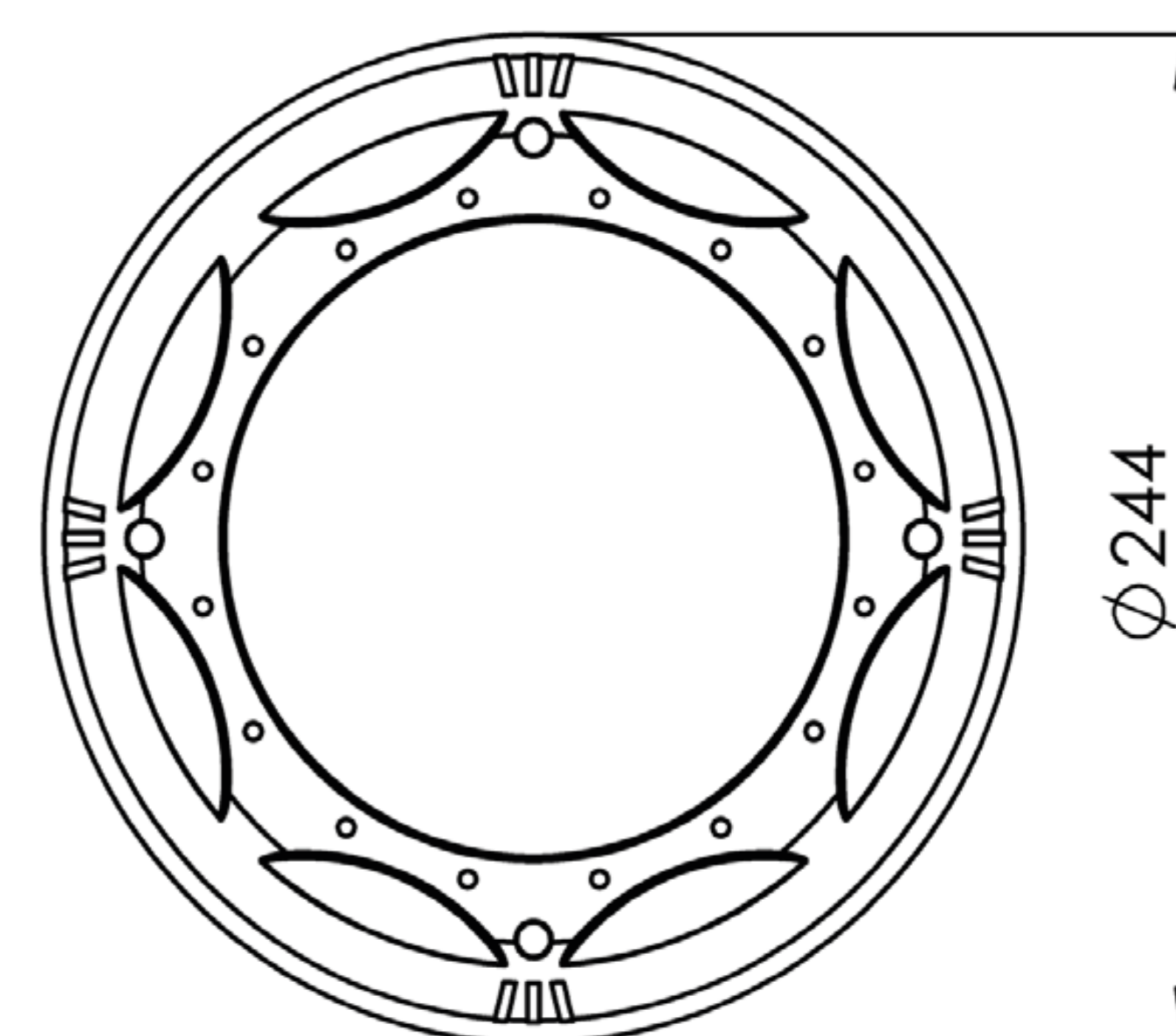
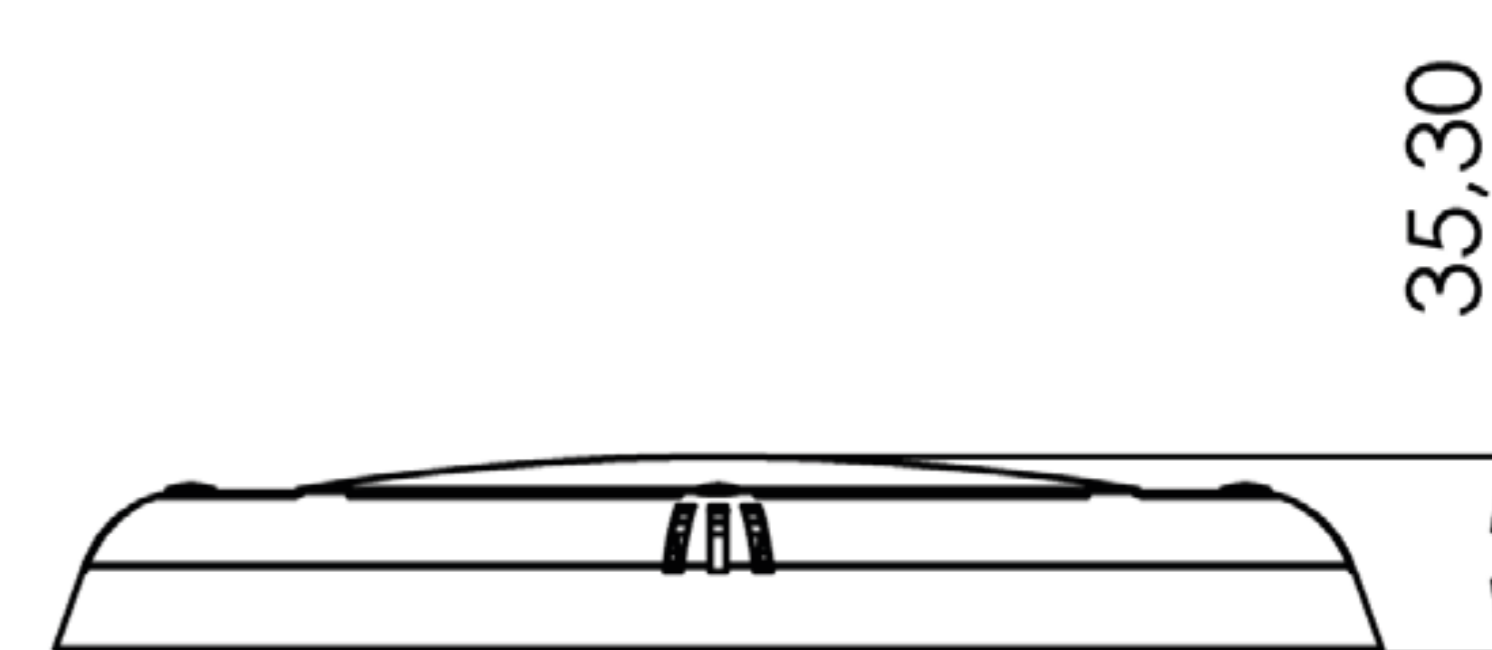
### GENERAL SPECIFICATIONS

Operating Temperature	-5/+40°C
Electrical Life	100.000 hour
Led Quantity	270 SMD
CCT/Wavelength	475 SMD
Viewing Angle	120°
Connection	Insulated Cable Lug M6
Protection Degree	IP68

## Electrical Information

### GENERAL SPECIFICATIONS

Operating Voltage	Ue	12V AC/DC
Watt (Nominal)	Si	30W
Operating Current	Ie	1,8 A
Lumen	Im	2000



CE IP68  
CLASS III ⚠ ⚠

# ALUMINIUM HOUSING UNDERWATER LED LAMP SURFACE MOUNTED

## Technical Characteristics

### Order Code:

Connection: 12V DC

Color: RGB 4 CABLE Blue

High Lumen

Low Energy Consumption Die Cast Aluminium Housing

Low Heat Generation

Long Lifetime

## Technical Information

### Body:

Plastic and aluminium housing Polycarbonate

Lens Stainless steel screws

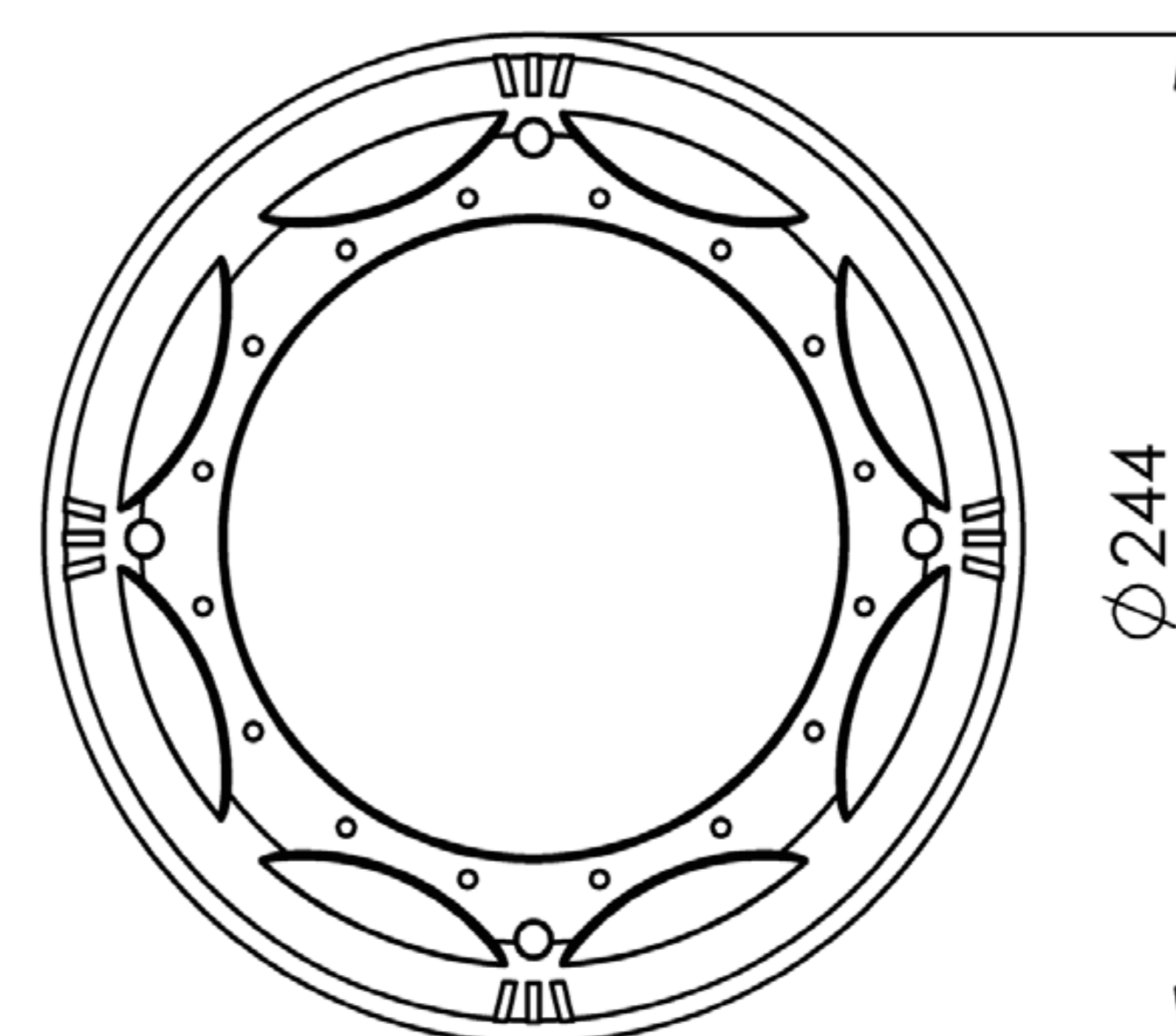
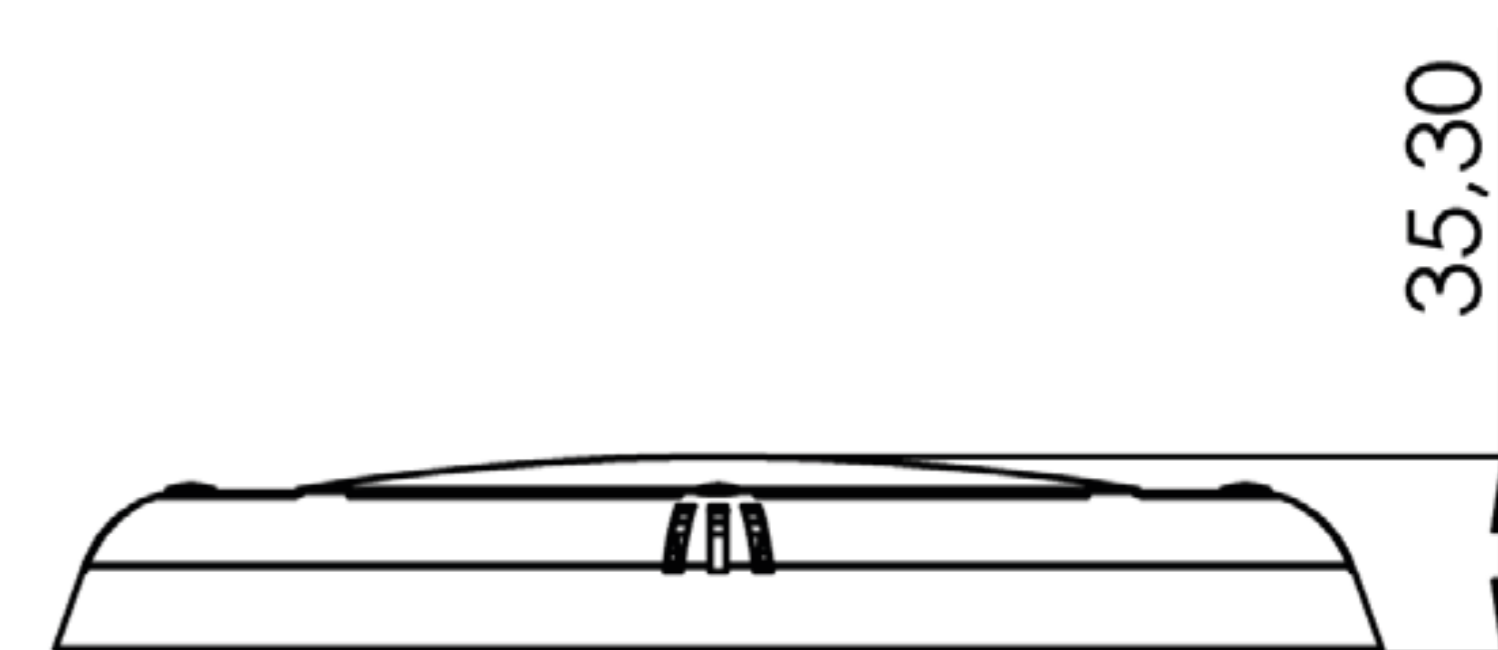
### GENERAL SPECIFICATIONS

Operating Temperature	-5/+40°C
Electrical Life	100.000 hour
Led Quantity	150 SMD
CCT/Wavelength	R:620 nm G:520 nm B:460
Viewing Angle	110°
Connection	Insulated Cable Lug M6
Protection Degree	IP68

## Electrical Information

### GENERAL SPECIFICATIONS

Operating Voltage	Ue	12V DC
Watt (Nominal)	Si	30W
Operating Current	Ie	1,8 A
Lumen	Im	3000



CE IP68  
CLASS III ⚠ ⚠

# ALUMINIUM HOUSING UNDERWATER LED LAMP SURFACE MOUNTED

## Technical Characteristics

**Order Code:** OSC HIA051

**Connection:** 12V DC

**Color:** RGB 2 CABLE Blue

High Lumen

Low Energy Consumption Die Cast Aluminium Housing

Low Heat Generation

Long Lifetime

## Technical Information

### Body:

Plastic and aluminium housing Polycarbonate

Lens Stainless steel screws

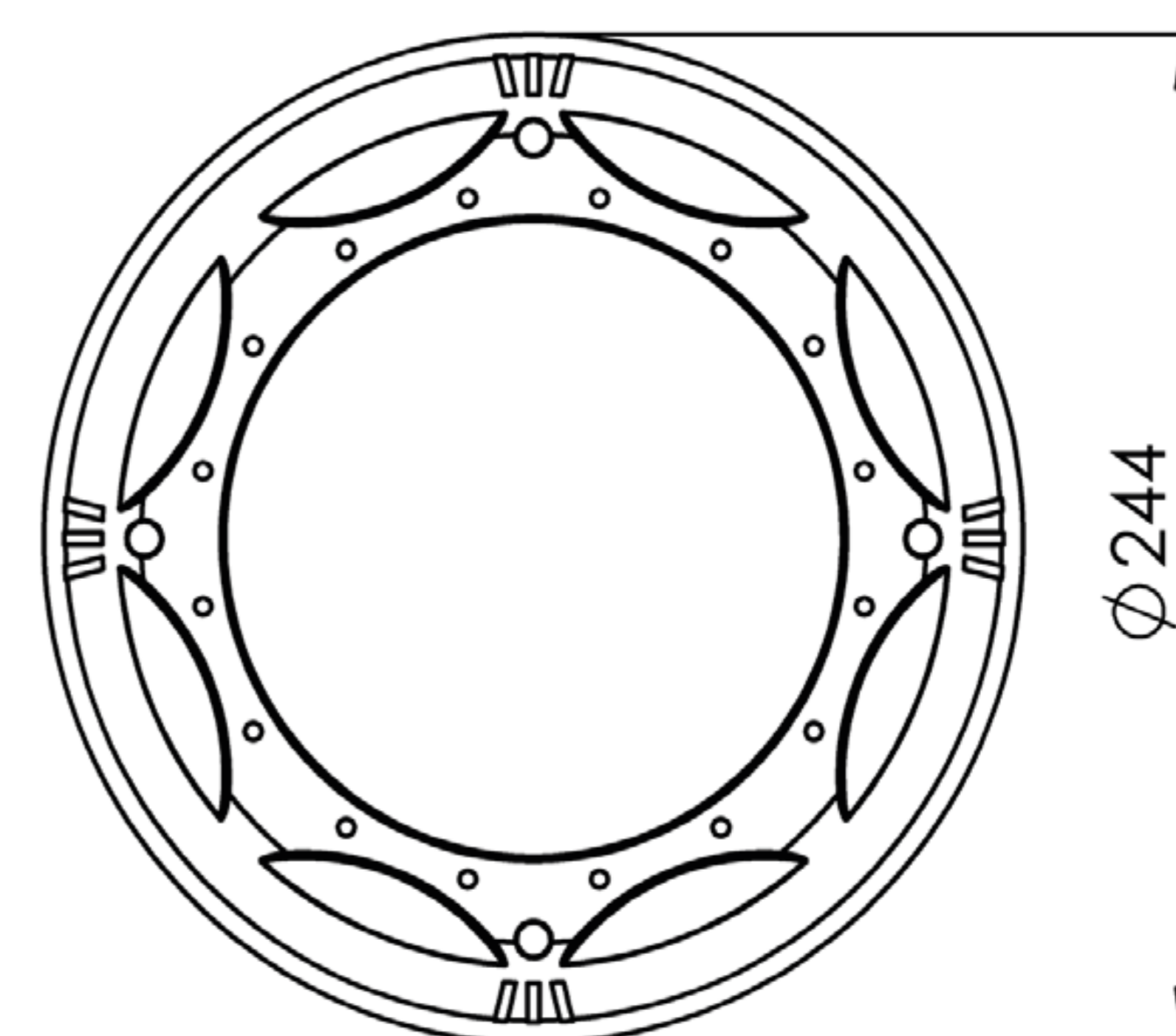
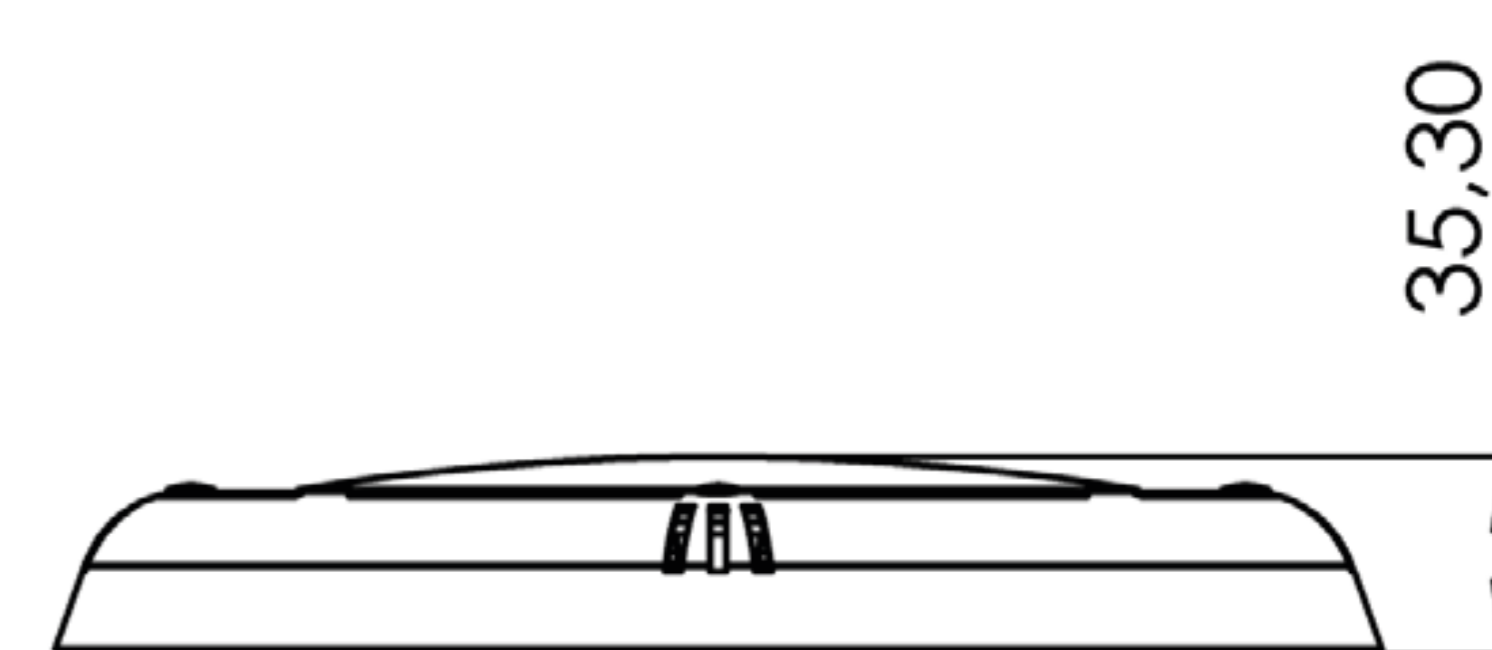
### GENERAL SPECIFICATIONS

Operating Temperature	-5/+40°C
Electrical Life	100.000 hour
Led Quantity	150 SMD
CCT/Wavelength	R:620 nm G:520 nm B:460
Viewing Angle	110°
Connection	Insulated Cable Lug M6
Protection Degree	IP68

## Electrical Information

### GENERAL SPECIFICATIONS

Operating Voltage	Ue	12V DC
Watt (Nominal)	Si	30W
Operating Current	Ie	1,8 A
Lumen	Im	3000



CE IP68  
CLASS III ⚠ ⚠

# PLASTIC HOUSING PAR 56 LED

## Technical Specification

### Order Code:

**Connection:** 12V AC/DC

**Color:** White

**P.CODE:** OSC HIA006-1

High Lumen

Low Energy Consumption Die Cast Aluminium Housing

Low Heat Generation

Long Lifetime

## Technical Information

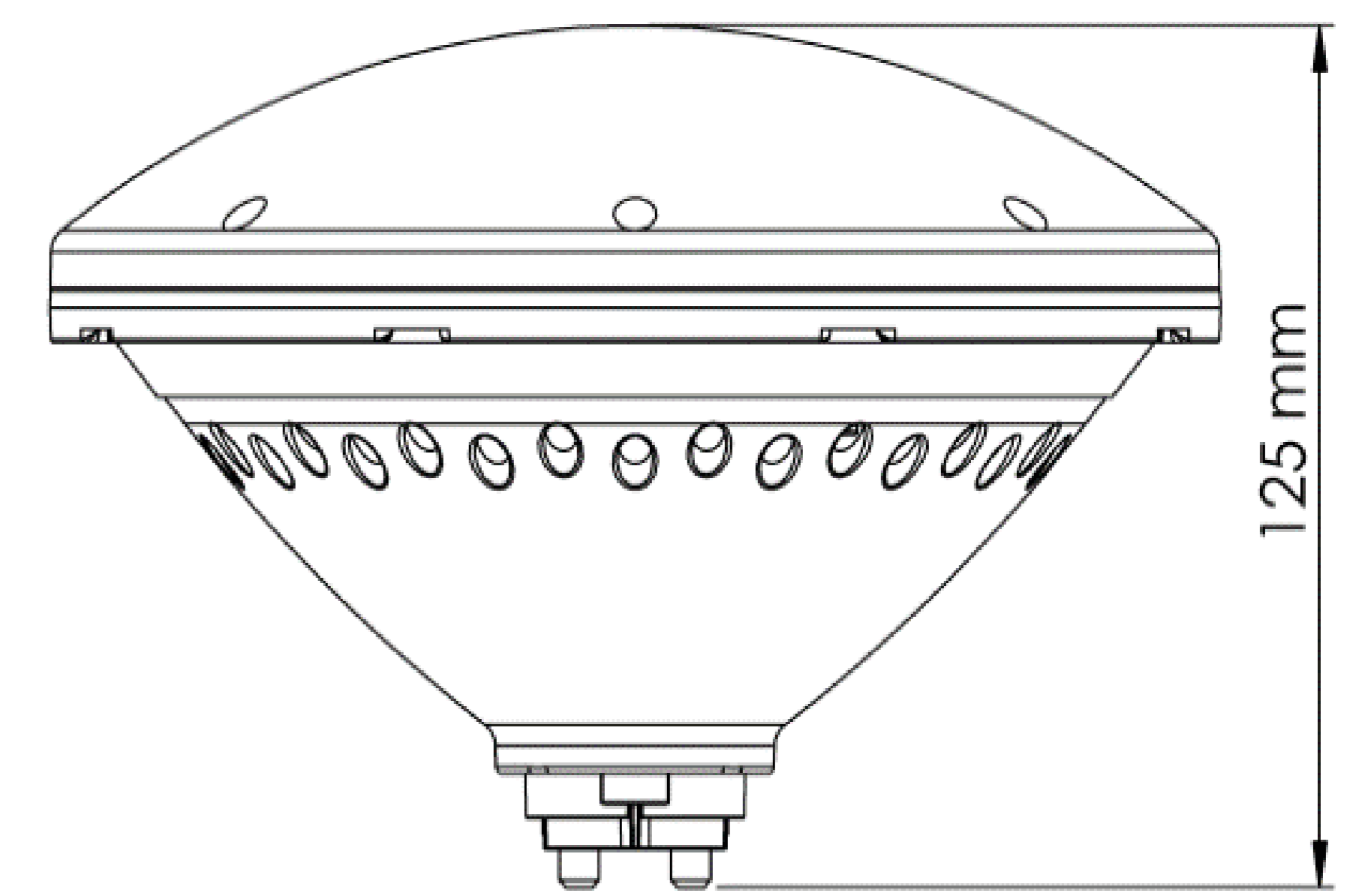
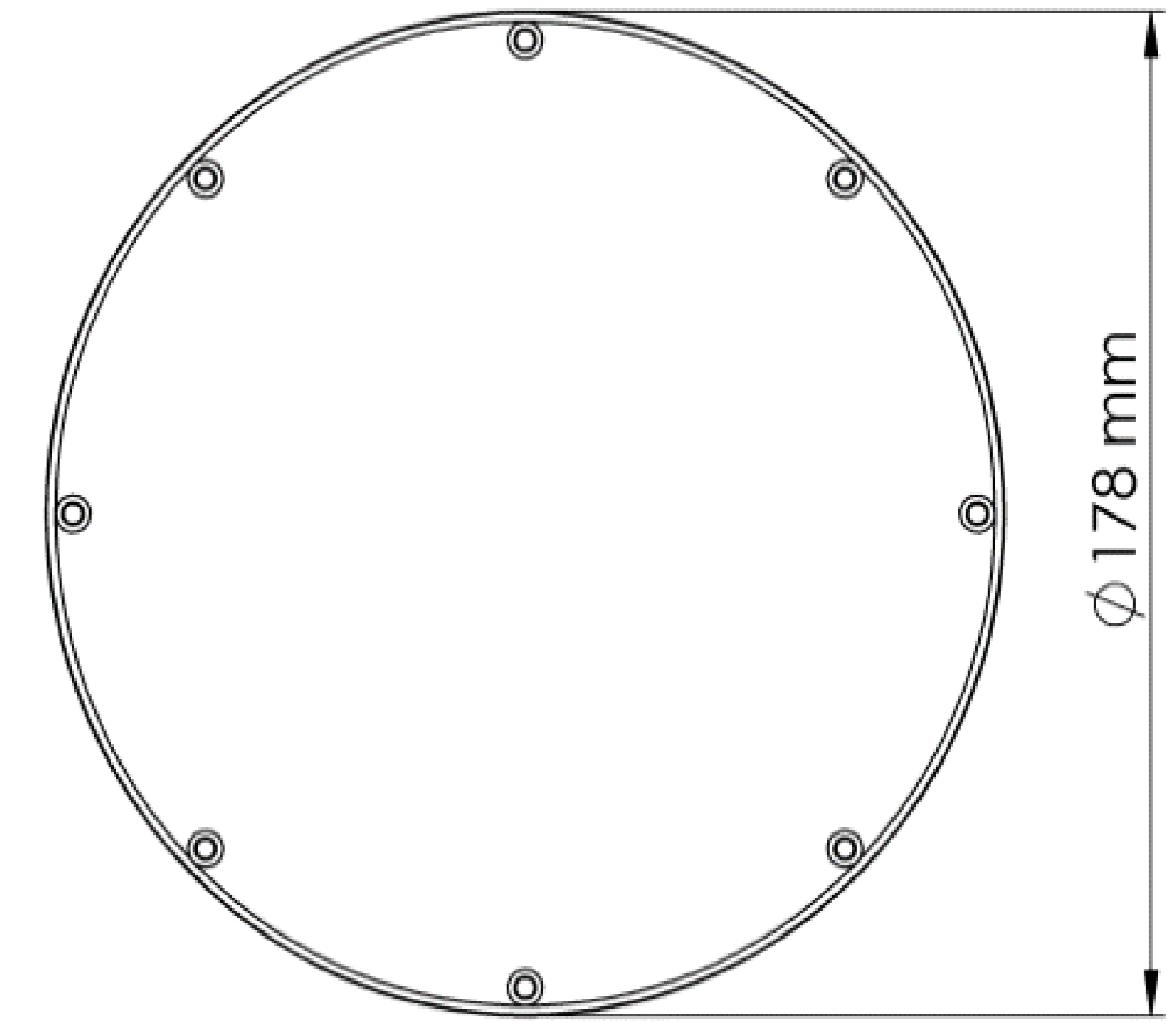
### Body:

Plastic and aluminium housing Polycarbonate

Lens Stainless steel screws

### GENERAL SPECIFICATIONS

Operating Temperature	-5/+40°C
Electrical Life	100.000 hour
Led Quantity	84 SMD
CCT/Wavelength	5700 K
Viewing Angle	110°
Connection	Insulated Cable Lug M6
Protection Degree	IP68



## Electrical Information

### GENERAL SPECIFICATIONS

Operating Voltage	Ue	12V DC
Watt (Nominal)	Si	30W
Operating Current	Ie	1,8 A
Lumen	Im	3000

CE IP68  
CLASS III ⚠ ⚠

# ALUMINIUM HOUSING PAR 56 LED

## Technical Specification

**Order Code:**

**Connection:** 12V AC/DC

**Color:** Daylight

High Lumen

Low Energy Consumption Die Cast Aluminium Housing

Low Heat Generation

Long Lifetime

## Technical Information

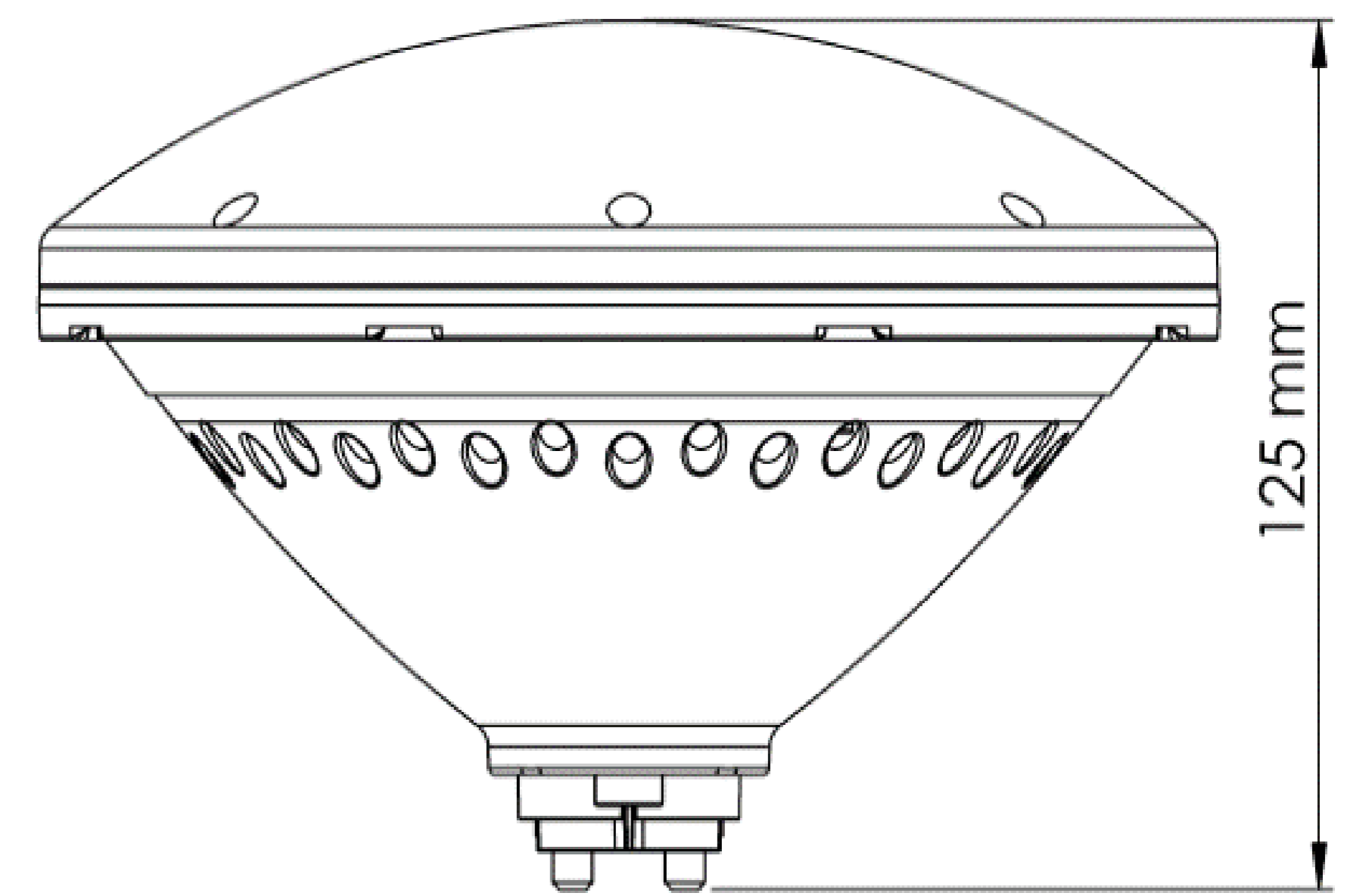
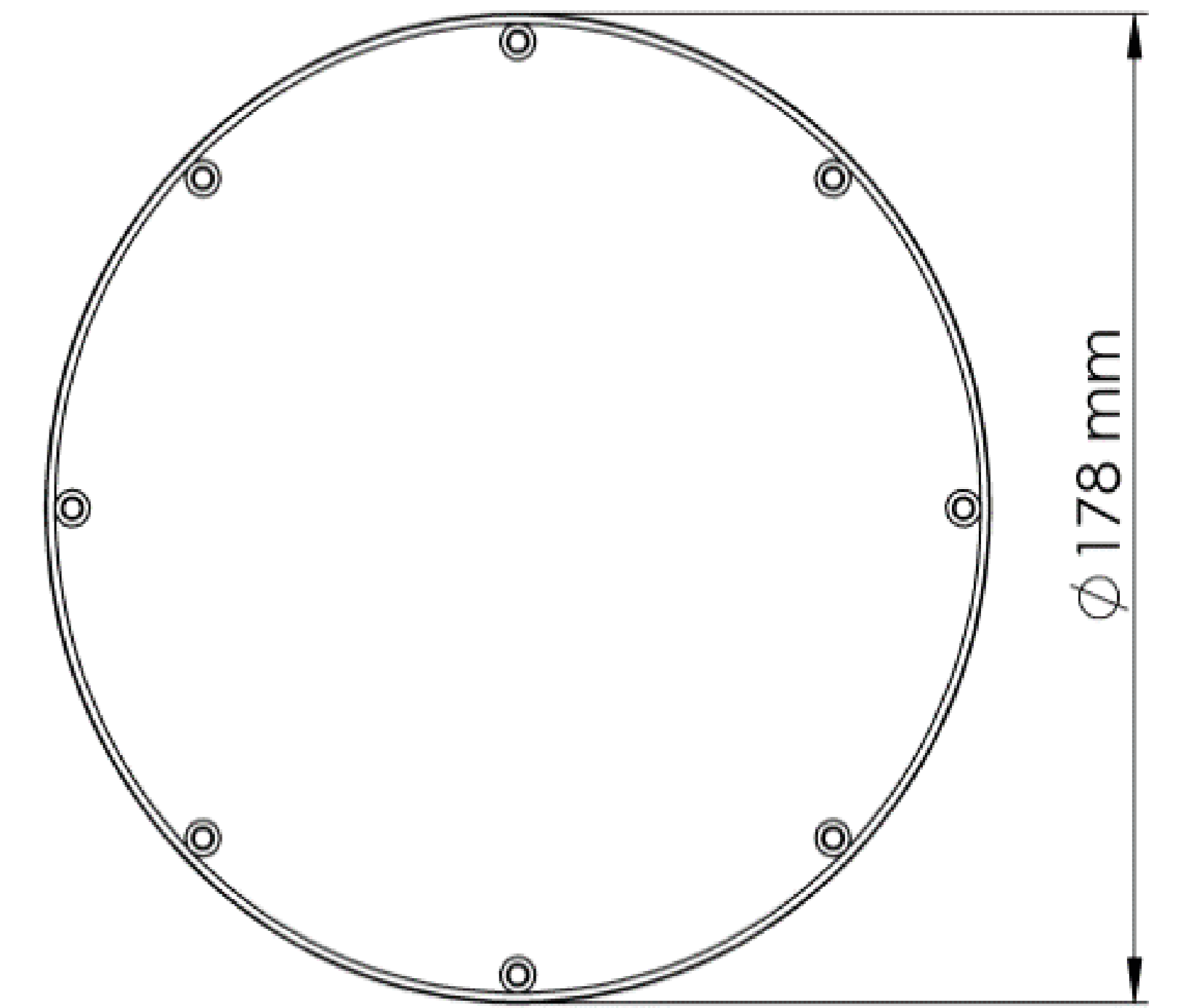
**Body:**

Plastic and aluminium housing Polycarbonate

Lens steel screws

### GENERAL SPECIFICATIONS

Operating Temperature	-5/+40°C
Electrical Life	100.000 hour
Led Quantity	84 SMD
CCT/Wavelength	5700 K
Viewing Angle	120°
Connection	Insulated Cable Lug M6
Protection Degree	IP68



## Electrical Information

### GENERAL SPECIFICATIONS

Operating Voltage	Ue	12V AC/DC
Watt (Nominal)	Si	30W
Operating Current	Ie	1,8 A
Lumen	Im	3000

CE IP68  
CLASS III ⚠ ⚠

# ALUMINIUM HOUSING PAR 56 LED

## Technical Specification

**Order Code:**

**Connection:** 12V AC/DC

**Color:** Blue

High Lumen

Low Energy Consumption Die Cast Aluminium Housing

Low Heat Generation

Long Lifetime

## Technical Information

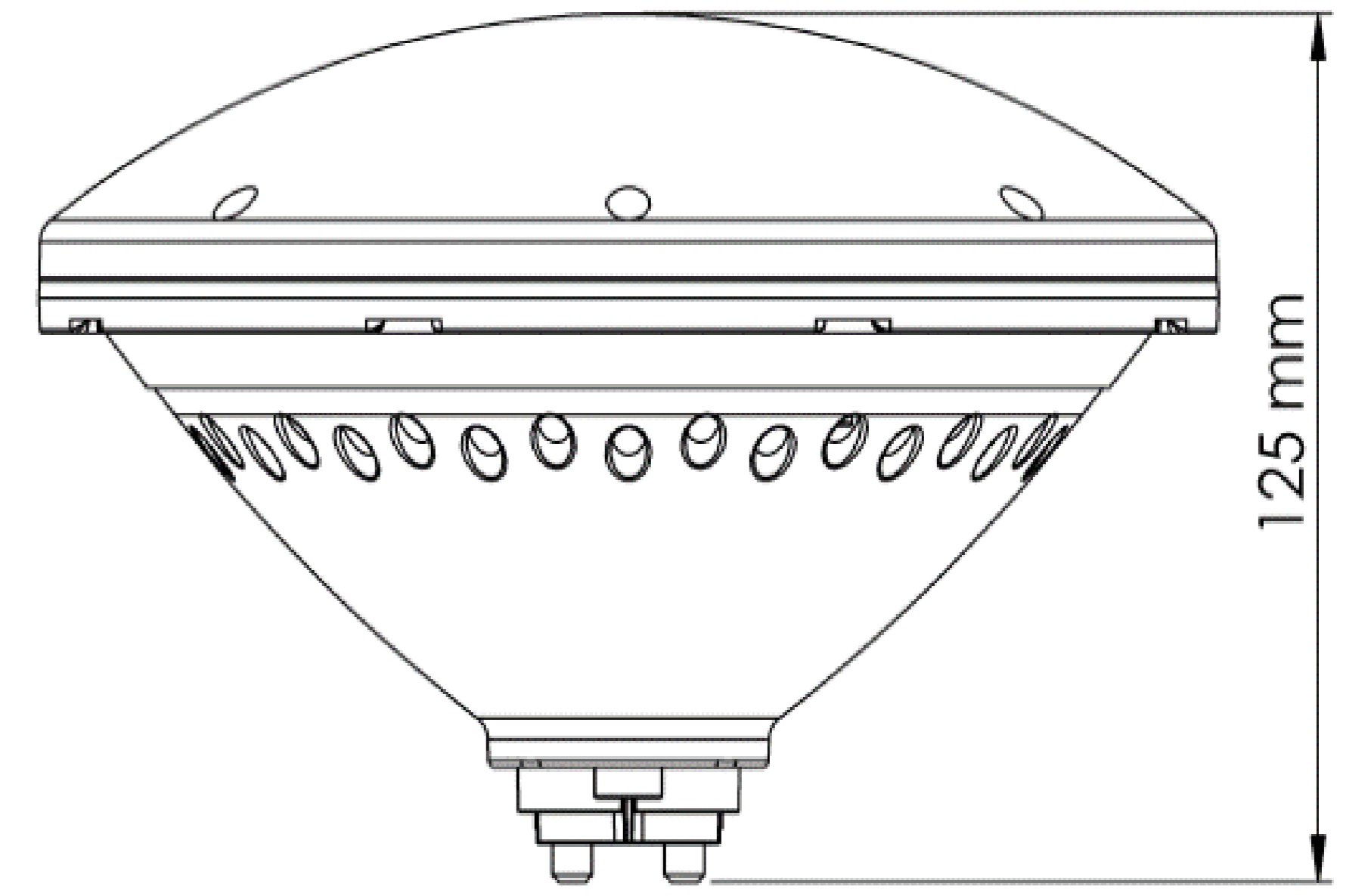
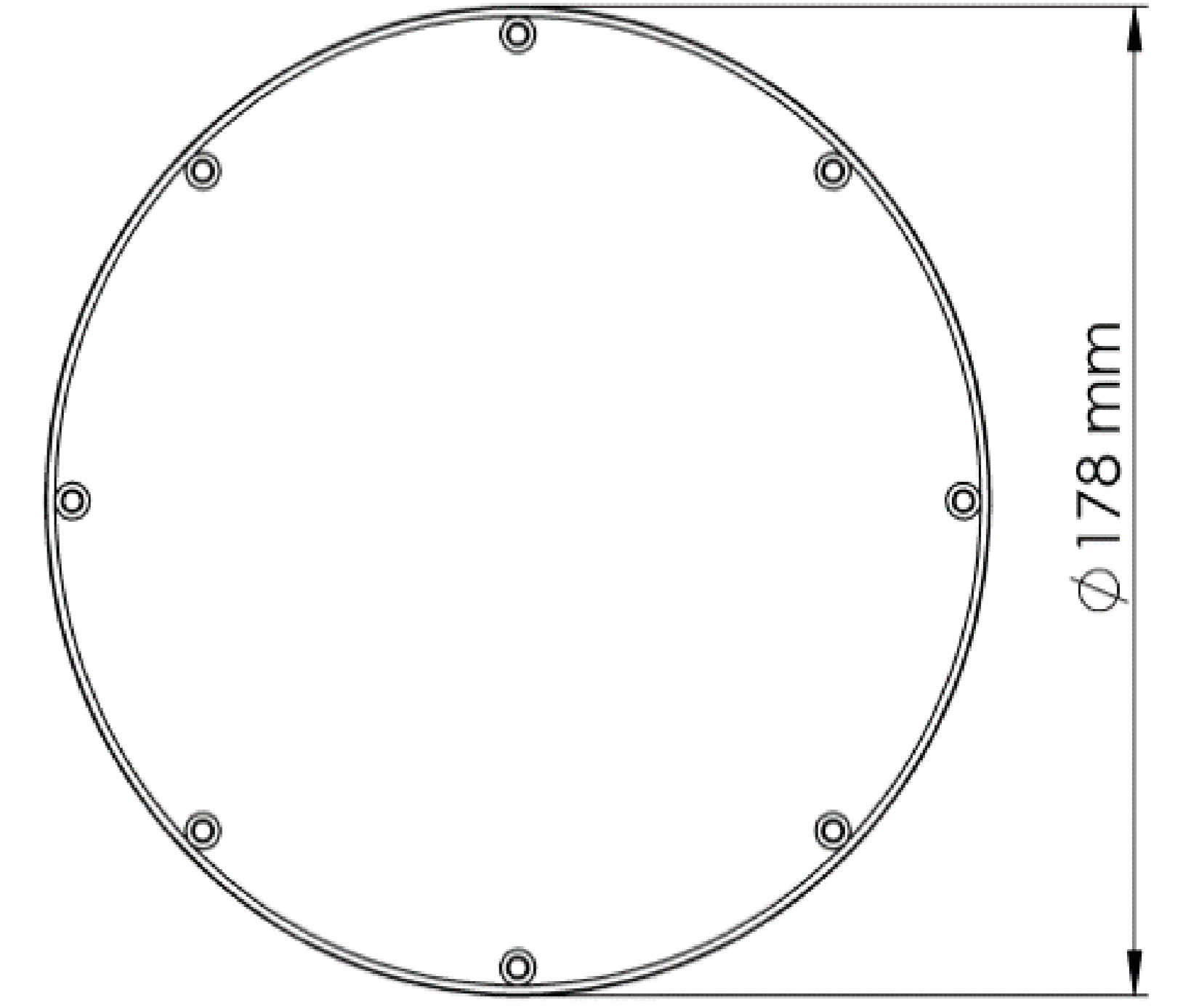
**Body:**

Plastic and aluminium housing Polycarbonate

Lens steel screws

### GENERAL SPECIFICATIONS

Operating Temperature	-5/+40°C
Electrical Life	100.000 hour
Led Quantity	84 SMD
CCT/Wavelength	475 Nm
Viewing Angle	120°
Connection	Insulated Cable Lug M6
Protection Degree	IP68



## Electrical Information

### GENERAL SPECIFICATIONS

Operating Voltage	Ue	12V AC/DC
Watt (Nominal)	Si	30W
Operating Current	Ie	1,8 A
Lumen	Im	2000

CE IP68  
CLASS III ⚠ ⚠

# ALUMINIUM HOUSING PAR 56 LED

## Technical Specification

### Order Code:

**Connection:** 12V DC

**Color:** RGB 4 CABLE

High Lumen

Low Energy Consumption Die Cast Aluminium Housing

Low Heat Generation

Long Lifetime

### Technical Information

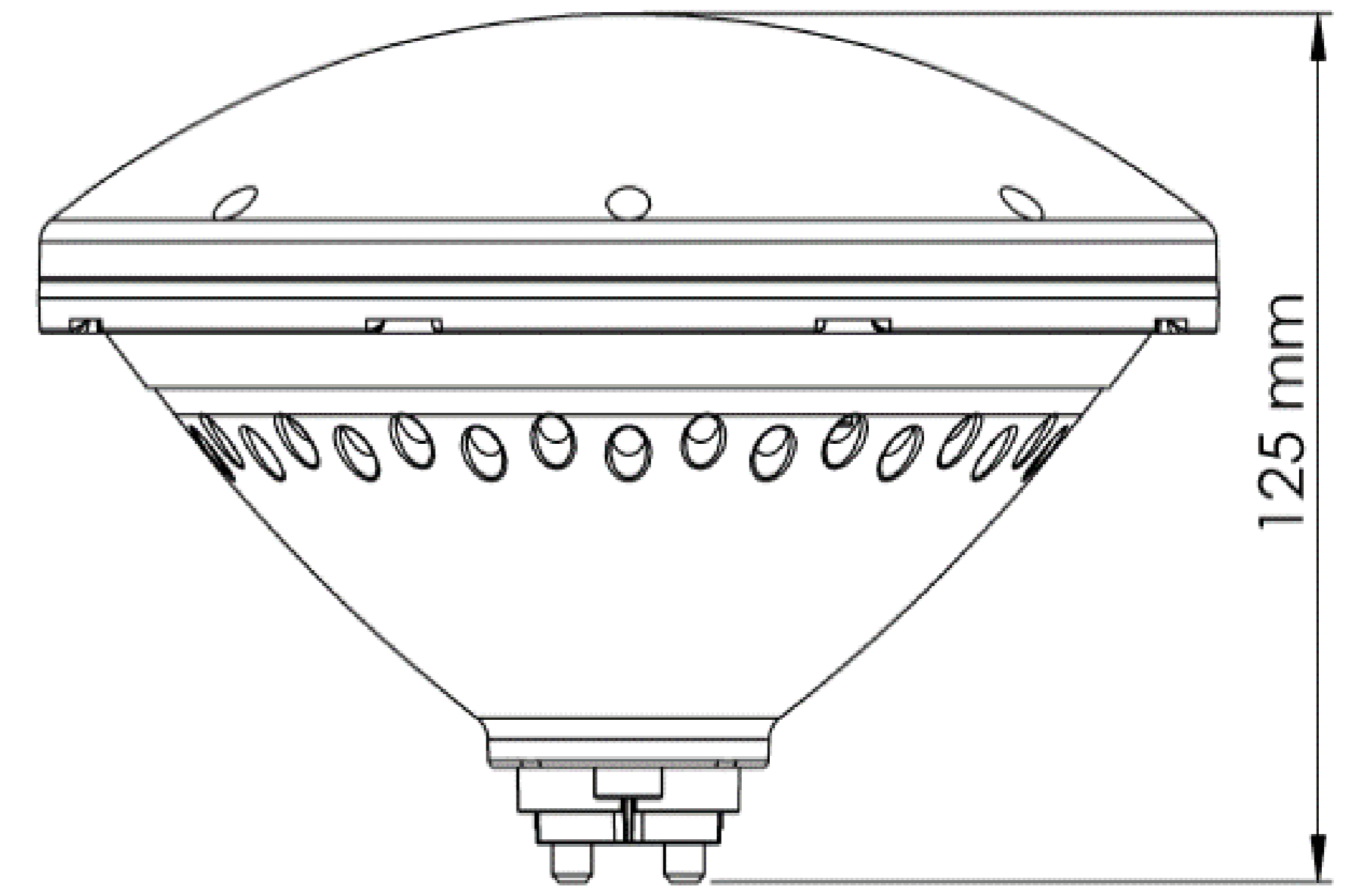
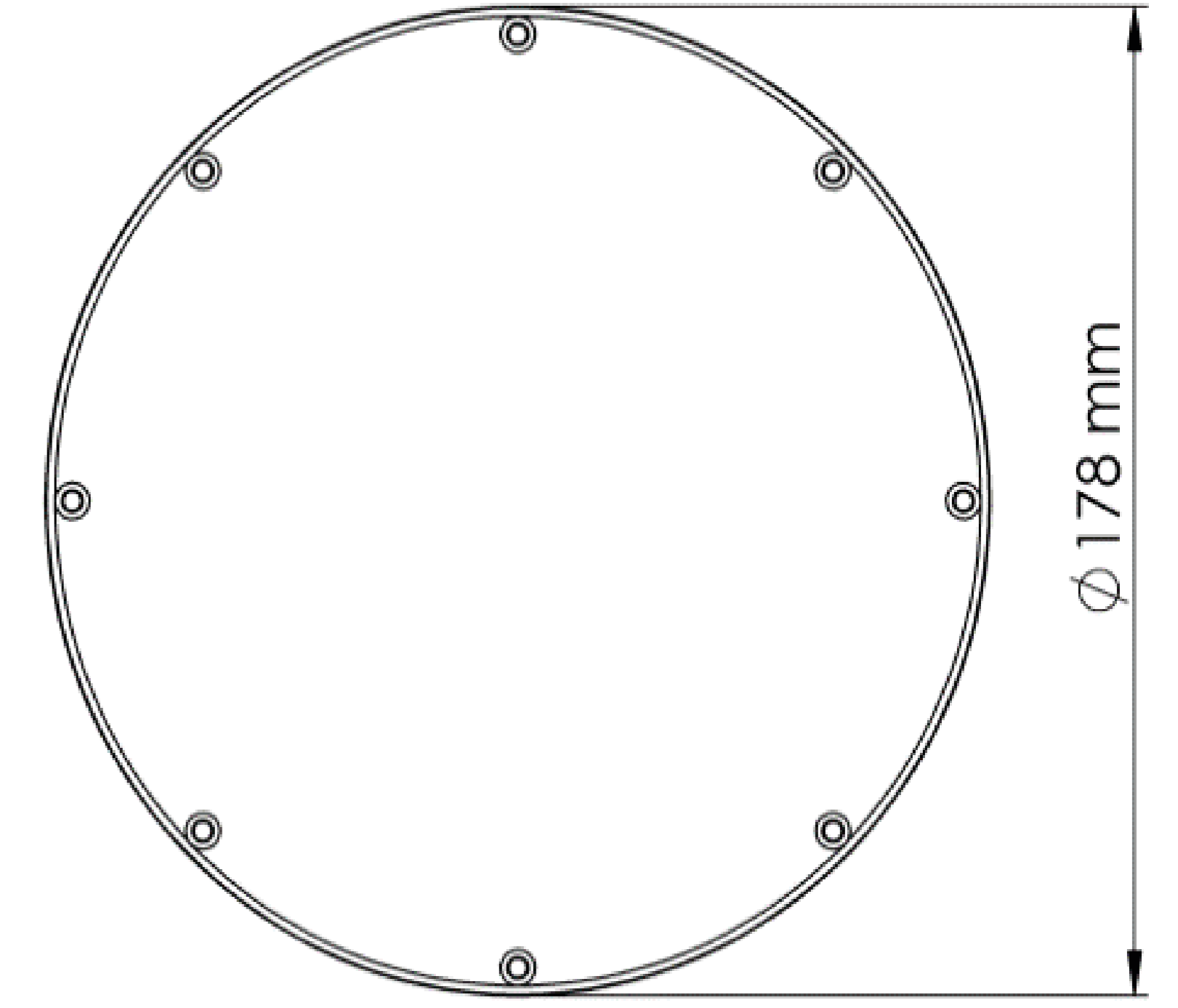
#### Body:

Plastic and aluminium housing Polycarbonate

Lens steel screws

#### GENERAL SPECIFICATIONS

Operating Temperature	-5/+40°C
Electrical Life	100.000 hour
Led Quantity	150 SMD
CCT/Wavelength	R:620nm G:520 nm B:460nm
Viewing Angle	110°
Connection	Insulated Cable Lug M6
Protection Degree	IP68



### Electrical Information

#### GENERAL SPECIFICATIONS

Operating Voltage	Ue	12V AC/DC
Watt (Nominal)	Si	30W
Operating Current	Ie	1,8 A
Lumen	Im	3000

CE IP68  
CLASS III ⚠ ⚠

# PLASTIC HOUSING PAR 56 LED

## Technical Specification

**Order Code:**

**Connection:** 12V AC/DC

**Color:** RGB 2 CABLE

High Lumen

Low Energy Consumption Die Cast Aluminium Housing

Low Heat Generation

Long Lifetime

## Technical Information

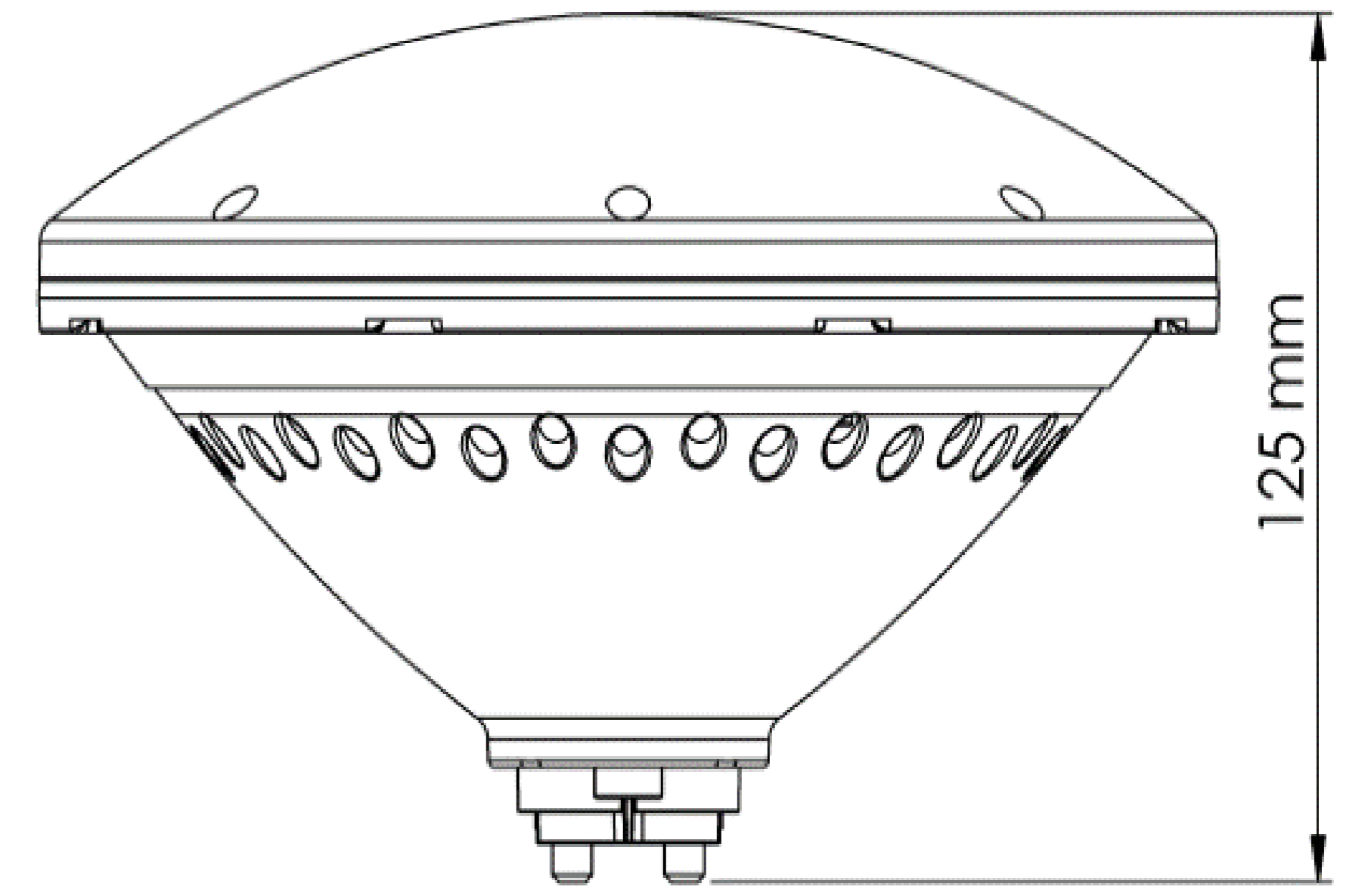
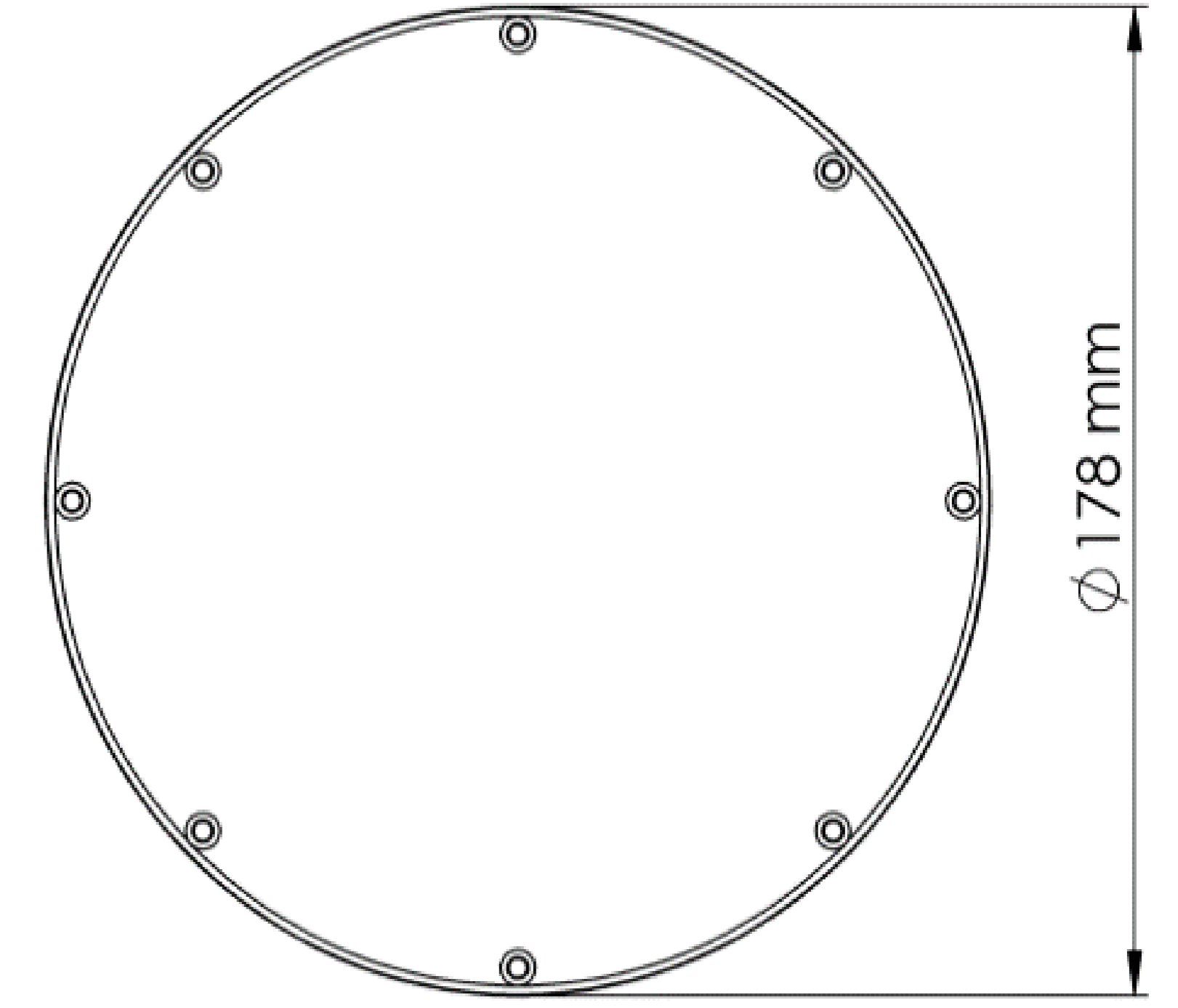
**Body:**

Plastic and aluminium housing Polycarbonate

Lens steel screws

### GENERAL SPECIFICATIONS

Operating Temperature	-5/+40°C
Electrical Life	100.000 hour
Led Quantity	150 SMD
CCT/Wavelength	R:620nm G:520 nm B:460nm
Viewing Angle	110°
Connection	Insulated Cable Lug M6
Protection Degree	IP68



## Electrical Information

### GENERAL SPECIFICATIONS

Operating Voltage	Ue	12V AC/DC
Watt (Nominal)	Si	30W
Operating Current	Ie	1,8 A
Lumen	Im	3000

CE IP68  
CLASS III ⚠ ⚠